



上海松铭传动机械有限公司
SHANGHAI SONGMING TRANSMISSION MACHINERY CO.,LTD



联轴器系列

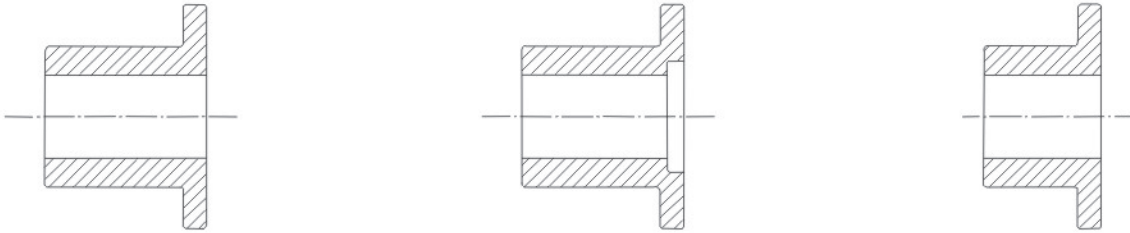


联轴器系列



常用联轴器孔和键槽形式 Mode of hole and key way form of normal couplings

◇ 摘自GB/T3852-1997 《联轴器轴孔和联结型式及尺寸》
The model and marks from GB/T3852-1997 《sizes mode of hole and connecting of coupling》



1、Y型长圆柱形轴孔
(限于长圆柱形轴伸电机端)
1. Y type long ring shaft hole
(Only apply for electrical machine
ends of long open ring shaft)

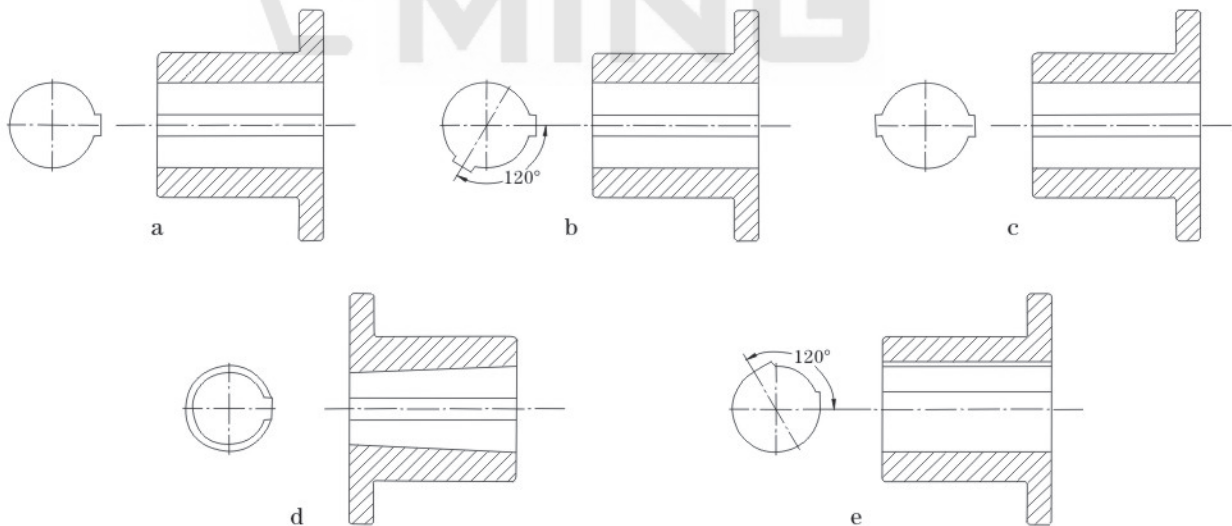
2、J型有沉孔的短圆柱形轴孔
(推荐选用)
2. J type cylindrical shaft hole
with counterbore(commending)

3、J1型无沉孔的短圆柱形轴孔
(推荐选用)
3. J1 type short cylindrical shaft
hole without counterbore
(commending)



4、Z型有沉孔的圆锥形轴孔
4. Z type coniform shaft hole with counterbore

5、Z1型无沉孔的圆锥形轴孔
5. Z1 type coniform shaft hole without counterbore



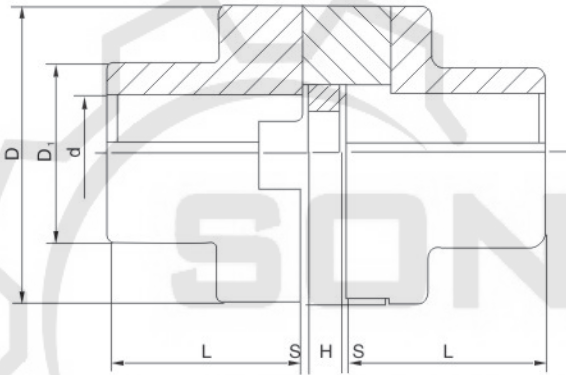
键槽形式keyway modes

(a)A型平键单键槽； (b)B型120° 布置平键双键槽； (c)B1型布置平键双键槽； (d)C型圆锥形孔平键单键槽； (e)D型普通切向键键槽。
a. A type even single keyway b. B type even double keyway with 120° display C. B1 type even double keyway
d. C type even single keyway with conic hole e. D type normal keyway with tangential key

SL 型十字滑块联轴器 SL Type Oldham coupling

本联轴器产品适用于联接两同轴线的传动轴系的联轴器，该产品具有较大的径向位移，传递公称转矩120~63000N·m，转速250~70r/min。

The coupling is suitable for connection of two coaxial lines of the drive shaft coupling, the product has a large radial displacement, nominal torque delivery 120 ~ 63000N m, speed 250 ~ 70r/min.



联轴器许用补偿量
Coupling the amount of allowable compensation

型号	径向 Δy mm	角向 Δa ($^{\circ}$)	轴向 Δx mm
SL 70	0.6	0.5 $^{\circ}$	1.2
SL 90	0.7		1.4
SL 100	1.4		1.5
SL 130	1.8		1.8
SL 150	2.2		2.0
SL 170	2.6		2.1
SL 190	3.0		2.2
SL 210	3.4		2.6
SL 240	3.8		3.0
SL 260	4.0		3.4
SL 280	4.4		3.8
SL 300	4.8		4.2
SL 320	5.2		4.6
SL 340	6.0		5.0
SL 360	6.4		5.7
SL 400	6.6		6.4
SL 460	8.0	7.2	

◇ SL 型联轴器基本性能参数和主要尺寸
SL Type coupling basic performance parameters and main dimensions

mm

型号 Type	公称转矩 T_n N·m	许用转速 [n] r/min	轴孔直径 d	D	D ₁	L	H	S	转动惯量 (kg·m ²)	重量 (kg)
SL 70	120	250	15~18	70	32	42	14	0.5	0.002	1.5
SL 90	250	250	20~30	90	45	52	14		0.008	2.6
SL 100	500	250	36~40	110	60	70	19		0.026	5.5
SL 130	800	250	45~50	130	80	90	19		0.07	10
SL 150	1250	250	55~60	150	95	112	19		0.14	15.5
SL 170	2000	250	65~70	170	105	125	24		0.25	22.4
SL 190	3200	250	75~80	190	110	140	29		0.5	31.5
SL 210	5000	250	85~90	210	130	160	33	1.0	0.9	45
SL 240	8000	250	95~100	240	140	180	33		1.6	59.5
SL 260	9000	250	100~110	260	160	190	33		2	76
SL 280	10000	100	110~120	280	170	200	33		3	94.3
SL 300	13000	100	120~130	300	180	210	43		4.3	111
SL 320	16000	100	130~140	320	190	220	43		5.7	129
SL 340	20000	100	150	340	210	250	48		8.4	162
SL 360	32500	100	160	360	240	280	48		19.2	258
SL 400	38700	80	170	400	260	300	48		26.1	305
SL 460	63000	70	200	460	300	350	58		62.9	560