



上海松铭传动机械有限公司
SHANGHAI SONGMING TRANSMISSION MACHINERY CO.,LTD

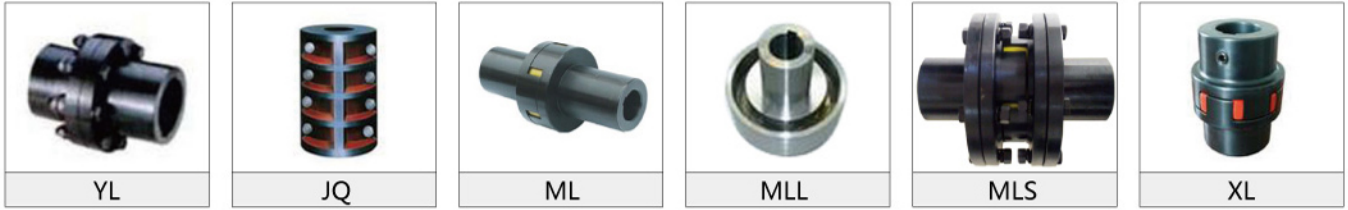


公司简介 | Company brief introduction

上海松铭传动机械有限公司是一家研究、设计、销售机械传动类产品的公司，供应产品有：WS/WSD/WSS/WSP万向节、SWP/SWC万向联轴器、ML梅花弹性联轴器、XL/XLD星型弹性联轴器、DJM/JMII/SJM/JMIJ/ZJM弹性膜片联轴器、TL弹性柱销套联轴器、HL弹性柱销联轴器、ZL柱销齿式联轴器、制动轮式联轴器、铝合金联轴器、UL/LLA/LLB轮胎联轴器、SL十字滑块联轴器，KC/GL链条联轴器、JS蛇型弹簧联轴器、鼓型齿联轴器、凸缘联轴器、JQ夹壳联轴器、WH/SL滑块联轴器、联轴器配件（弹性体/轮胎体/铝合金外罩壳/联轴器膜片组/联轴器弹簧等）、Z型胀紧联结套及SPA/SPB/SPC/SPZ锥套皮带轮等产品，并承接非标传动零部件的定制加工。

产品咨询订购电话：18621008099

联轴器系列

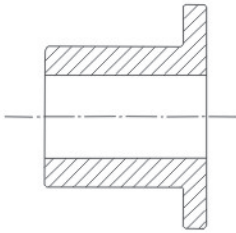


联轴器系列

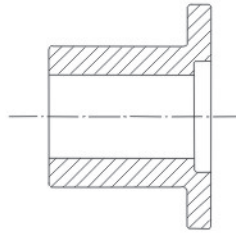


常用联轴器孔和键槽形式 Mode of hole and key way form of normal couplings

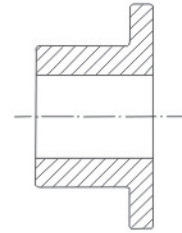
◇ 摘自GB/T3852-1997 《联轴器轴孔和联结型式及尺寸》
The model and marks from GB/T3852-1997 《sizes mode of hole and connecting of coupling》



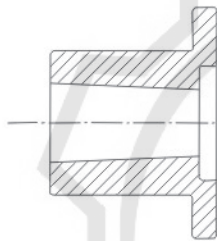
1、Y型长圆柱形轴孔
(限于长圆柱形轴伸电机端)
1. Y type long ring shaft hole
(Only apply for electrical machine
ends of long open ring shaft)



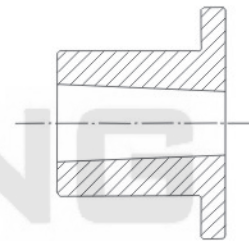
2、J型有沉孔的短圆柱形轴孔
(推荐选用)
2. J type cylindrical shaft hole
with counterbore(commending)



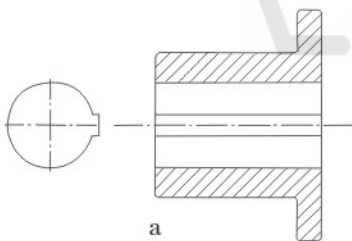
3、J1型无沉孔的短圆柱形轴孔
(推荐选用)
3. J1 type short cylindrical shaft
hole without counterbore
(commending)



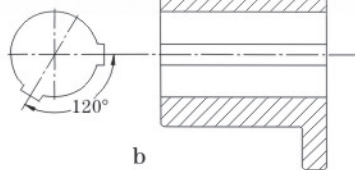
4、Z型有沉孔的圆锥形轴孔
4. Z type coniform shaft hole with counterbore



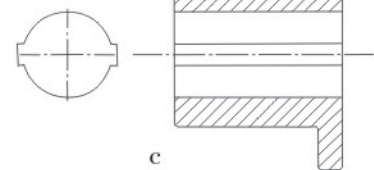
5、Z1型无沉孔的圆锥形轴孔
5. Z1 type coniform shaft hole without counterbore



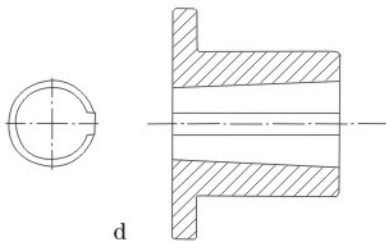
a



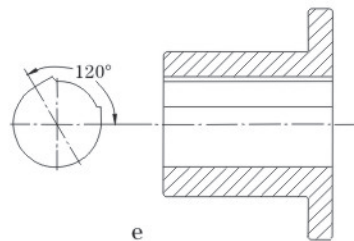
b



c



d



e

键槽形式keyway modes

(a)A型平键单键槽；(b)B型120°布置平键双键槽；(c)B1型布置平键双键槽；(d)C型圆锥形孔平键单键槽；(e)D型普通切向键键槽。
a. A type even single keyway b. B type even double keyway with 120° display C. B1 type even double keyway
d. C type even single keyway with conic hole e. D type normal keyway with tangental key

◇概述

梅花形弹性联轴器是由两个带凸爪形状相同的半联轴器和弹性元件组成，利用梅花形弹性元件置于两半联轴器凸爪牙之间，以实现两半轴器的联接。具有补偿两轴相对偏移，减振，缓冲，径向尺寸小，结构简单，不用润滑，承载能力较高，维护方便等特点，但更换弹性元件时两半联轴器需沿轴向移动。适用于联接两同轴线，起动频繁，正反转变，中低速中小功率，传动轴系，要求工作可靠性高的场合，不适用于重载及轴向尺寸受限制，更换弹性元件后两轴线对中困难的场合。

Plum blossom type elastic shaft coupling is made up of semi-shaft coupling with the same protruding claw and elastic component, utilizing the plum blossom elastic component put between the protruding claw and two half coupling. in order to realize the connection of two semi-axis devices. It has compensating by two axle to be relative skew, reducing shaking buffering. smaller diameter. simple structure, without lubricating. bearing large capacity, and convenient repair. But the semi-shaft coupling needs to move along the axial while changing the elastic component. It is suitable for two with axis, start frequent, positive and negative change, low-speed and medium speed. Medium and small power rotate axle department, requiring working dependability high working position; it is not suitable for the heavily loaded and restricted axial in size. Two axis put in the difficult position after exchange of elastic component.

◇标记示例 The mark gives a demonstration

ML4型梅花形弹性联轴器

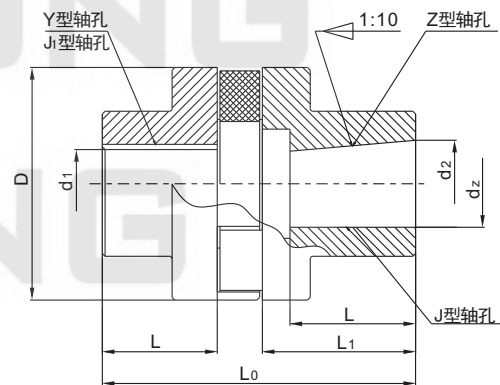
主动端：Z型轴孔，C型键槽，轴孔直径d1=35mm，轴孔长度L=62mm
从动端：Y型轴孔，B型键槽，轴孔直径d2=24mm，轴孔长度L=65mm

ML Plum blossom type elastic shaft coupling

Initiative department: Z type shaft hole, C type dent key, shaft hole d1=35mm, Length of the shaft hole L=62mm
Driven department: Y type shaft hole, B type dent key, shaft hole d2=24mm, Length of the shaft hole L=65mm

◇标记方法

联轴器(Shaft coupling)ML4 $\frac{ZC35 \times 62}{YB24 \times 65}$ GB/T5272-2002



ML 梅花形弹性联轴器
ML plum blossom type elastic shaft coupling

◇ML型梅花形弹性联轴器的基本参数及主要尺寸(GB/T5272-2002)

Base figure and main size of ML plum blossom type elastic shaft coupling (GB/T5272-2002)

型号 Type	公称扭矩 N.m Nominal torsion			许用转速 Limited rotational speed(rpm)		轴孔直径mm d1.d2.dz Diameter of the shaft hole			L0 mm	D mm	许用补偿量 Limited compensation			转动惯量 Rotate inertia kg.m ²	重量 Weight kg
	弹性体硬度 Hardness of Elastomer										轴向 Axial	径向 Radial	角向 Angle		
	shA	shB	shD	铁 Iron	钢 Steel	°									
	80±5	92±5	60±5												
ML1	16	25	45	11500	15300	12.14	32	27	80	50	1.2	0.5	2.0	0.014	0.66
						16.18.19	42	30	100						
						20.22.24	52	38	120						
20.22.24	127														
ML2	63	100	200	8200	10900	25.28	62	44	147	70	1.5	0.8	2.0	0.075	1.55
						30.32	82	60	187						



上海松铭传动机械有限公司

ML型梅花形弹性联轴器 ML claw elastic shaft coupling

◇ ML型梅花形弹性联轴器的基本参数及主要尺寸(GB/T5272-2002)

Base figure and main size of ML plum blossom type elastic shaft coupling(GB/T5272-2002)

型号 Type	公称扭矩 N.m Nominal torsion			许用转速 Limited rotational speed(rpm)		轴孔直径mm d1.d2.dz Diameter of the shaft hole			轴孔长度mm Length of the shaft hole		L0 mm	D mm	许用补偿量 Limited compensation			转动惯量 Rotate inertia kg.m ²	重量 Weight kg
	弹性体硬度 Hardness of Elastomer					铁 Iron	钢 Steel	Y型 Type	Z,J型 Type	轴向 Axial			径向 Radial	角向 Angle			
	shA	shB	shD	L	L						(°)						
	80±5	92±5	60±5	mm													
ML3	90	140	280	6700	9000	22.24	52	38	128	85	2.0	0.8	2.0	0.178	2.5		
						25.28	62	44	148								
						30.32.35.38	82	60	188								
ML4	140	250	400	5500	7300	25.28	62	44	151	105	2.5	0.8	2.0	0.412	4.3		
						30.32.35.38	82	60	191								
						40.42	112	84	251								
ML5	250	400	710	4600	6100	30.32.35.38	82	60	197	125	3.0	1.0	1.5	0.73	6.2		
						40.42.45.48	112	84	257								
ML6	400	630	1120	4000	5300	30*.38*	82	60	203	145	3.0	1.0	1.5	1.85	8.6		
						40*.42*.45.48.50.55	112	84	263								
ML7	710	1120	2240	3400	4500	45*.48*.50.55	112	84	265	170	3.5	1.0	1.5	3.88	14.0		
						60.63.65	142	107	325								
ML8	1120	1800	3550	2900	3800	50*.55*	112	84	272	200	4.0	1.5	1.5	9.22	25.7		
						60.63.65.70.71.75	142	107	332								
ML9	1800	2800	5600	2500	3300	60*.63*.65*.70.75	142	107	334	230	4.5	1.5	1.0	18.95	41.0		
						80.85.90.95	172	132	394								
ML10	2800	4500	9000	2200	2900	70*.71*.75*	142	107	344	260	5.0	1.5	1.0	39.68	59.0		
						80*.85*.90*.95*	172	132	404								
						100.110	212	167	484								
ML11	4000	6300	12500	1900	2500	80*.85*.90*.95*	172	132	411	300	5.0	1.8	1.0	73.43	87.0		
						100.110.120	212	167	491								
ML12	7100	11200	20000	1600	2100	90*.95*	172	132	417	360	5.0	1.8	1.0	178.45	140		
						100*.110*.120*.125*	212	167	497								
						130	252	202	577								
ML13	8000	12500	25000	1400	1900	100*.110*.120*.125*	212	167	497	400	5.0	1.8	1.0	208.75	160		
						130*.140*.150*	252	202	577								
						160	302	242	677								

注：1、轴孔直径带*号的可用于J型、Z型轴孔。

2、表中kg为联轴器总重量。

Note: 1. Shaft hole diameter with * can be use for the Model J、Z.

2. Kg in the form is the total weight of the shaft coupling.

LMS (MLS) 型双法兰型梅花形弹性联轴器 (GB/T5272-2002代替GB5272-85) LMS(MLS) type claw elastic shaft coupling with double-flange

◇ 标记说明 Mark explain

对于Z型J型带沉孔的轴孔长度是指轴孔的配合长度(即下图中L1尺寸)

AS for Z and J type coupling with counterbore hole length is length of fit(as the datas in down drawings)

◇ 标记示例The mark gives a demonstration

MLS3型梅花形弹性联轴器

MT3a弹性件硬度为shA80

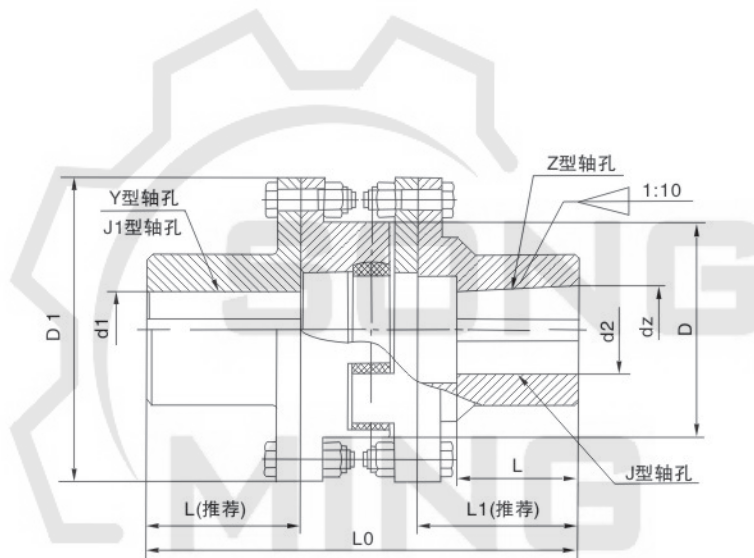
主动端: Z型轴孔, C型键槽, 轴孔直径dz=30

轴孔长度L=60(不合沉孔长度)

从动端: Y型轴孔, B型键槽, 轴孔直径d2=25

轴孔长度L=62

MLS3联轴器 $\frac{Zc30 \times 60}{B25 \times 62}$



◇ MLS型双法兰型梅花弹性联轴器基本参数和主要尺寸

Base figure and main size of MLS type claw elastic shaft coupling with double-flange

新型号 Type	旧型号 Type	公称扭矩N.m Nominal torsion		许用转速 Limited rotational Speed rpm	轴孔直径 Diameter of the shaft hole d1.d2.dz mm	轴孔长度mm Length of shaft hole		L、L1 推荐 Commend mm	L0 mm	D mm	D1 mm	弹性件 型号 Spider type	质量 Weight kg	转动 惯量 Rotate inertia kg.m ²
		弹性件硬度 Nominal torsion				Y型	J1、J、Z型							
		a/shA	b/shD			L	L							
LMS1	MLS1	25	45	8500	12.14	32	27	35	98	50	90	MT1 ^{-a} _{-b}	1.33	0.0013
					16.18.19	42	30							
					20.22.24	52	38							
					25	62	44							
LMS2	旧标准 无 此规格	100	200	6900	20.22.24	52	38	40	117	70	110	MT3 ^{-a} _{-b}	2.33	0.0034
					25.28	62	44							
					30.32	82	60							
LMS3	MLS2	140	280	6200	22.24	52	38	45	130	85	125	MT4 ^{-a} _{-b}	3.38	0.0064
					25.28	62	44							
					30.32.35.38	82	60							
					40	112	84							



上海松铭传动机械有限公司

LMS (MLS) 型双法兰型梅花形弹性联轴器 (GB/T5272-2002代替GB5272-85)
LMS(MLS) type claw elastic shaft coupling with double-flange

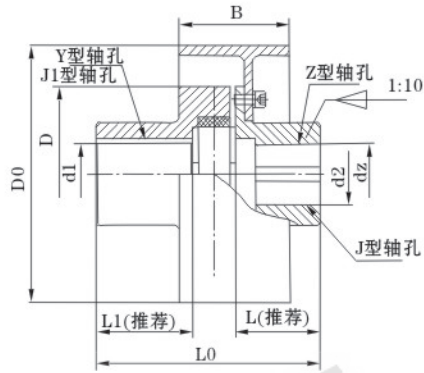
◇MLS型双法兰型梅花弹性联轴器基本参数和主要尺寸
Base figure and main size of MLS type claw elastic shaft coupling with double-flange

新 型 号 Type	旧 型 号 Type	公称扭矩N.m Nominal torsion		许用转速 Limited rotationall Speed rpm	轴孔直径 Diameter of the shaft hole d1.d2.dz mm	轴孔长度mm Length of shaft hole		L、L1 推荐 Commend mm	L0 mm	D mm	D1 mm	弹性件 型号 Spider type	质量 quality m/kg	转动 惯量 Rotate inertia kg.m ²
		弹性件硬度 Nominal torsion				Y型	J1、J、Z型							
		a/shA	b/shD											
		80±5	60±5			L	L							
LMS4	MLS3	350	400	5000	25.28	62	44	50	150	105	150	MT5 ^{-a} _{-b}	6.07	0.0175
					30.32.35.38	82	60							
					40.42.45	112	84							
LMS5	MLS4	400	710	4100	30.32.35.38	82	60	55	167	125	185	MT6 ^{-a} _{-b}	10.47	0.0444
					40.42.45.48	112	84							
LMS6	MLS5	630	1120	3700	35*.38*	82	60	60	185	145	205	MT7 ^{-a} _{-b}	14.22	0.0739
					40*.42*.45.48.50.55	112	84							
LMS7	MLS6	1120	2240	3100	45*.48*.50.55.56	142	107	70	209	170	240	MT8 ^{-a} _{-b}	21.16	0.1493
					60.63.65	112	84							
LMS8	MLS7	1800	3550	2800	50*.55*.56	142	107	80	240	200	270	MT9 ^{-a} _{-b}	30.70	0.2767
					60.63.65.70.71.75	172	132							
LMS9	MLS8	2800	5600	2500	60*.63*.65*.70.71.75	142	107	90	268	230	305	MT10 ^{-a} _{-b}	44.55	0.5262
					80.85.90.95	172	132							
					100	212	167							
LMS10	MLS9	4500	9000	2200	70*.71*.75*	142	107	100	308	260	350	MT11 ^{-a} _{-b}	70.72	1.1362
					80*.85*.90.95	172	132							
					100.110.120	212	167							
LMS11	MLS10	6300	12500	1900	80*.85*.90*.95*	172	132	115	345	300	400	MT12 ^{-a} _{-b}	99.54	1.9998
					100.110.120.125	212	167							
					130	252	202							
LMS12	MLS11	11200	20000	1600	90*.95*	172	132	125	373	360	460	MT13 ^{-a} _{-b}	137.53	3.6719
					100.110.120.125	212	167							
					130	252	202							
LMS13	MLS12	12500	25000	15000	100*.110*.120*.125*	212	167	135	383	400	500	MT14 ^{-a} _{-b}	165.25	5.1581
					130.140.150	252	202							
					160	302	242							

- 1、质量、转动惯量按L推荐最小轴孔计算近似值。 2、带*号轴孔直径可用于Z型、J型轴孔。
- 3、a、b为二种材料的硬度代号 4、L0是两端轴孔长度均为L推荐时联轴器的全长
- 5、Y型为长圆柱形轴孔，J1型为无沉孔为短圆柱形轴孔，型为有沉孔短圆柱形轴孔，Z型为有沉孔的圆锥形轴孔
- 1.Calculating proximate weight and running inertia as minimum shaft hole and recommendatory L.
- 2.Hole diameter with # mark can apply for Z and J type shaft holes.
- 3.a and b are code name of hardness of two materials.
- 4.LO is couplings total length when two holes length is recommendatory L.
- 5.Y is long cylindrical shaft hole, J1 is short cylindrical shaft hole without counterbore, J is short cylindrical shaft hole with counterbore, Z is conic shaft hole with counterbore

LMZ-I型带制动轮梅花形弹性联轴器 (GB/T5272-2002)
LMZ-I type claw elastic shaft coupling

◇标记示例(Mark sample): LMZI 2-I-630YA1 10×115/Zc95×115



◇LMZ-I型梅花形弹性联轴器基本参数和主要尺寸/mm
Base figure and main size of LMZ-I MLZ-I type claw elastic shaft coupling/mm

型号 Type	公称扭矩N.m Nominal torsion		许用转速 Limited rotationall Speed rpm	轴孔直径 Diameter of the shaft hole d1.d2.dz mm			L	L0	D0	B	D	弹性件 型号 Spider type	质量 quality m/kg	转动 惯量 Rotate inertia kg.m ²
	弹性件硬度 Nominal torsion													
	a/shA	b/shD												
	80±5	60±5												
LMZ5-1-160	250	400	4750	25.28.30.32.35.38 40.42.45			50	127	160	70	105	MT5 -a -b	6.602	0.019
LMZ5-1-200				25.28.30.32.35.38 40.42.45									9.204	0.044
LMZ6-1-200	400	710	3800	30.32.35.38.40 42.45.48			55	143	200	85	125	Mt6 -a -b	11.45	0.052
LMZ7-1-200	35.38.40.42 45.48.50.55.56			60	159	145							MT7 -a -b	13.96
LMZ7-1-250	630	1120	3050				35.38.40.42 45.48.50.55.56			60	159	250		105
LMZ8-1-250	45.48.50.55.56 60.63.65			70	181	170	MT8 -a -b	24.65	0.175					
LMZ8-1-315	1120	2240	2400					45.48.50.55 56.60.63.65			70	181	315	135
LMZ9-1-315	50.55.56.60.63 65.70.71.75.80			80	208	200	MT9 -a -b	41.67	0.45					
LMZ9-1-400	1800	3550	1900					50.55.56.60.63 65.70.71.75.80			80	208	400	170
LMZ10-1-400	60.63.65.70.71 75.80.85.90.95.100			90	230	400	170	230	Mt10 -a -b	74.53				
LMZ10-1-500	2800	5600	1500							60.63.65.70.71 75.80.85.90.95.100			90	230
LMZ11-1-500	4500	9000		70.71.75.80.85 90.95.100.110.120			100	260	500	210	260	MT11 -a -b		
LMZ12-1-630	6300	12500	1200	80.85.90.95 100.110.120.125.130			115	297	630	265	300	MT12 -a -b	213.7	10.24
LMZ13-1-710	11200	20000	1050	90.95.100.110.120 125.130.140.150			125	323	710	300	360	MT13 -a -b	341.6	19.99
LMZ14-1-800	12500	25000	950	100.110.120.125 130.140.150.160			135	343	800	340	400	Mt14 -a -b	510.1	39.36

注：1、质量转动惯量是按材料为铸钢 L推荐、最大轴孔计算的近似值

2、带*号轴孔直径可用于Z、J型轴孔。

3、a、b为两种弹性材料硬度代号。